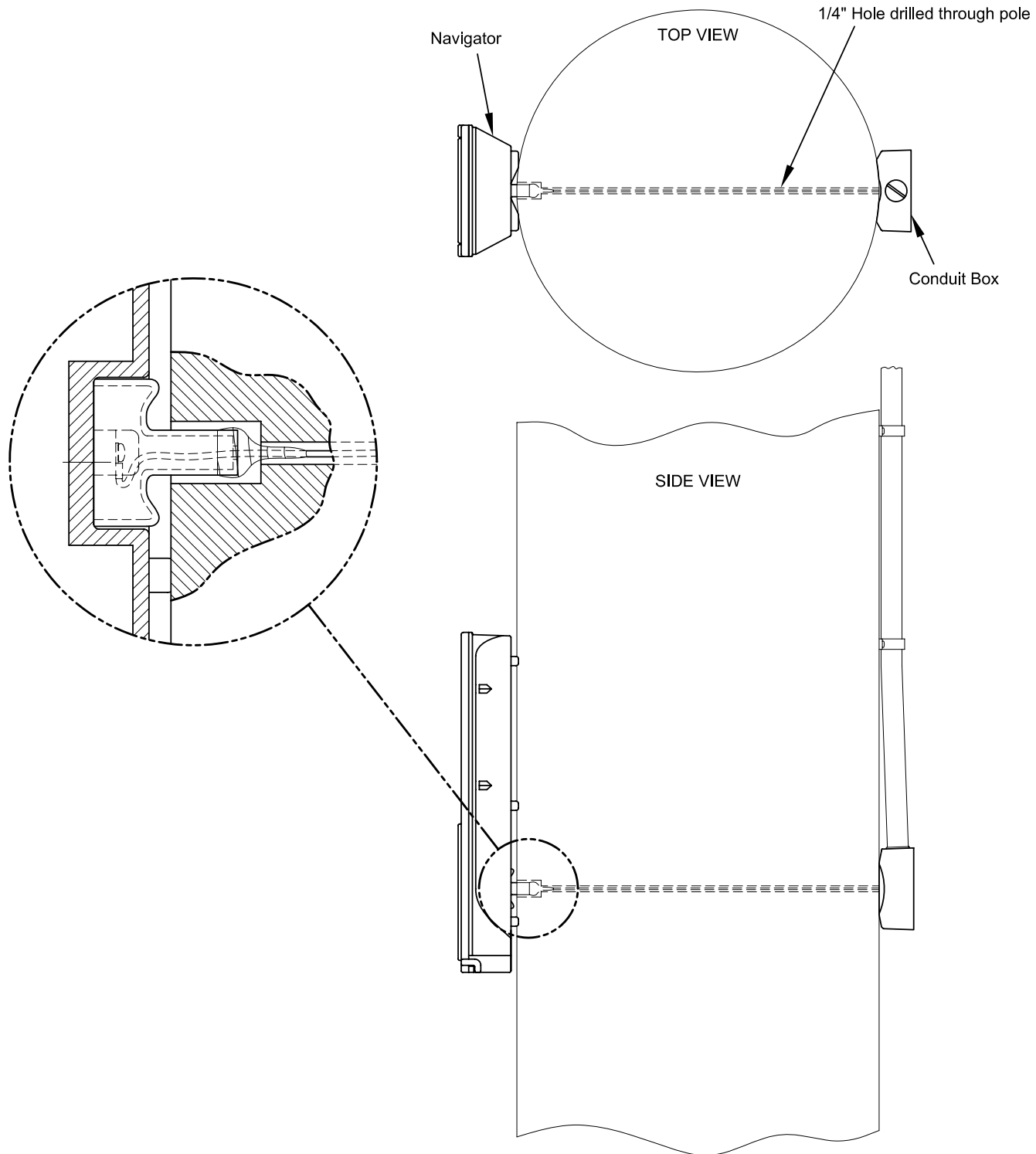


Wood Pole Mounting Option 1

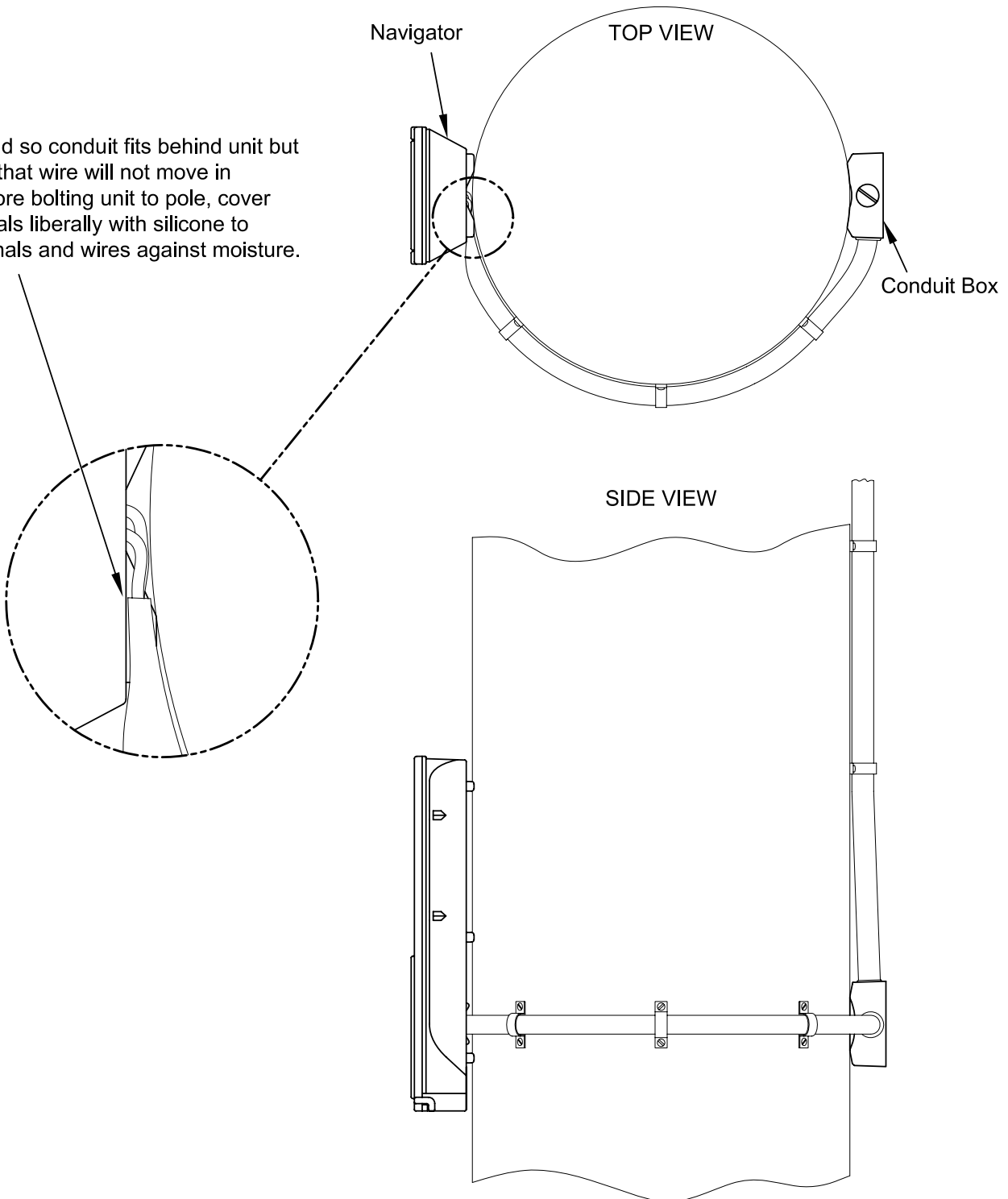
Mount conduit and conduit box on opposite side of pole from Navigator. Drill a 1/4" hole through the pole to run wires to Navigator. Mount Navigator as normal.

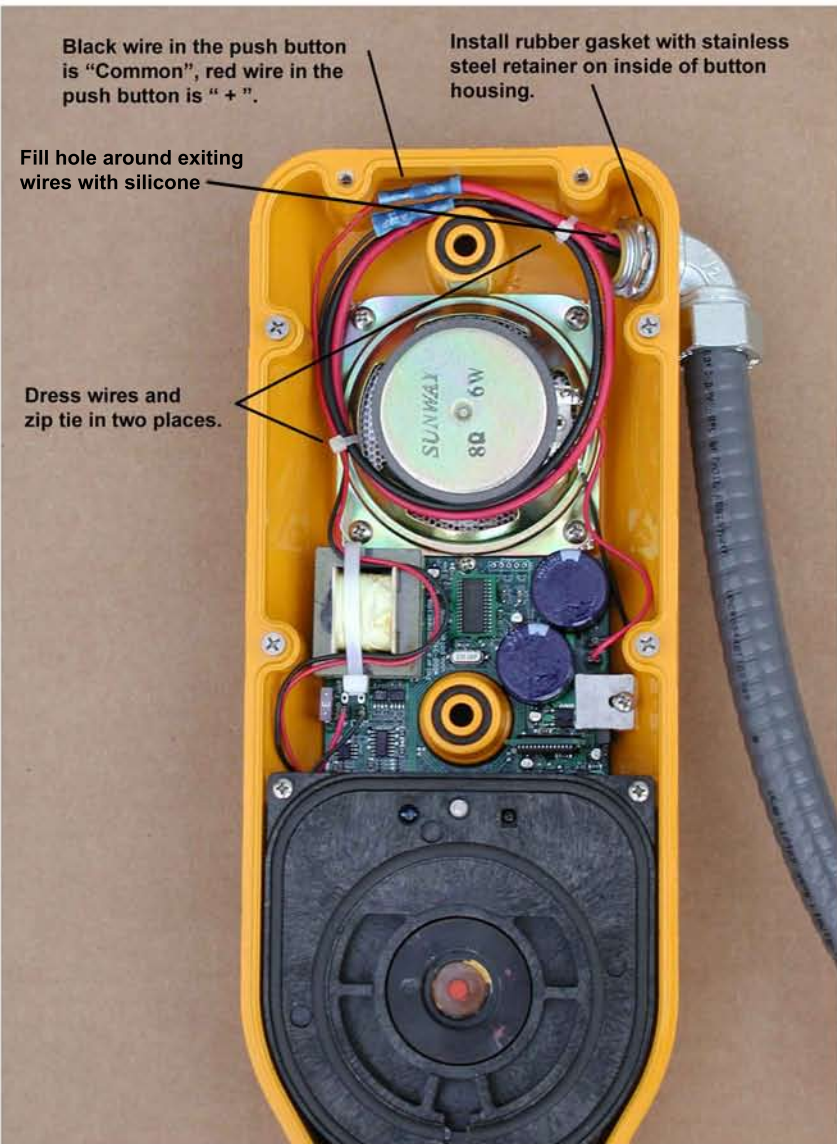


Wood Pole Mounting Option 2

Mount Conduit and Conduit Box on opposite side of pole from Navigator. Mount hard piece of conduit around pole adjacent to Navigator screw terminals. Flatten end so it will fit behind navigator but still allow wire movement. Securely fasten conduit to pole. Mount navigator as normal.

Compress end so conduit fits behind unit but not so much that wire will not move in conduit. Before bolting unit to pole, cover screw terminals liberally with silicone to protect terminals and wires against moisture.





Black wire in the push button is "Common", red wire in the push button is "+".

Install rubber gasket with stainless steel retainer on inside of button housing.

Fill hole around exiting wires with silicone

Dress wires and zip tie in two places.



Install fitting with nylon washer on outside of housing. Silicone after unit is fully assembled.

Route flex conduit downward providing drip loop exiting push button.

Seal top of conduit to prevent water infiltration.

Predrill 1/4" weep holes, qty 3, in bottom radius of conduit drip loop.

Wood Pole Mounting Option 3